

NU FORCE

MCA30

User Manual



**FCC
Statement**

This device has been tested and found to comply with the limits for a Class B digital device, pursuant to Part 15 of the FCC Rules. These limits are designed to provide reasonable protection against harmful interference in a residential installation.

This equipment generates, uses and can radiate radio frequency energy and, if not installed and used in accordance with the instructions, may cause harmful interference to radio communications. However, there is no guarantee that interference will not occur in a particular installation. If this equipment does cause harmful interference to radio or television reception, which can be determined by turning the equipment off and on, the user is encouraged to try to correct the interference by one of the following measures:

- Reorient or relocate the receiving antenna.
- Increase the separation between the equipment and receiver.
- Connect the equipment into an outlet on a circuit different from that to which the receiver is connected.
- Consult the dealer or an experienced radio/TV technician for help.

**Safety
Precautions**

Observe the following Safety Precautions when operating the device.

- Only use the accessories that are included in the package.
- Do not expose the device to direct sunlight.
- Do not place the device in a damp condition or high humidity.
- Do not cover or block any ventilation openings of the device.
- Do not drop the device or subject it to severe impact.
- Do not operate the device during thunderstorms.
- Protect all cables and power cord from being walked on or pinched.
- Keep the device away from water.
- Unplug the power cord before cleaning. Wipe the device with a clean, dry cloth.
- Do not attempt to repair this device yourself.
- For proper ventilation, make sure there is at least 10cm clearance at the back of the unit.

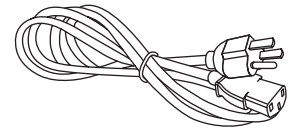
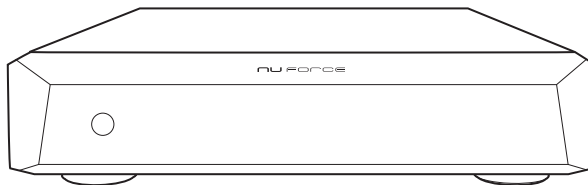
NU FORCE

MCA30

Features

- Nuforce state of the art class D power amplifier operation for superior engineering
- Resonant LLC power supply for high efficiency and low EMI
- BTL mode allows more power for main channels
- High-Rigidity and Anti-Resonant aircraft-grade aluminum chassis for high strength and durability
- 120/230 AC switch for convenient use in areas with different line voltages
- High-Current Output
- DC Servo and output short protection circuits
- Thermal and over current Protection

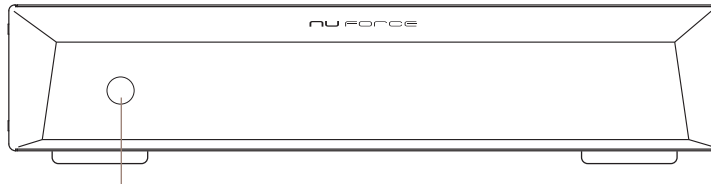
Package Contents



- Quick start guide
- Safety booklet

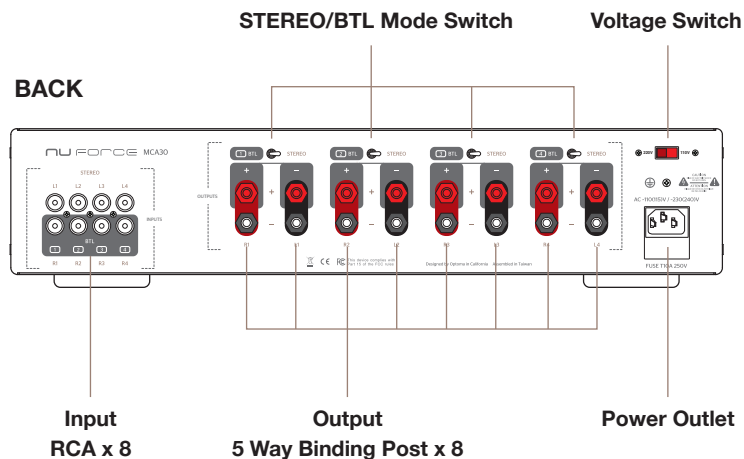
Product Overview

FRONT



Power button

BACK



Input
RCA x 8

Output
5 Way Binding Post x 8

Power Outlet

Operation Guide

Caution

- Do not connect the power cord until you have completed all other connections
- Do not plug or unplug input or output connection while MCA30 is turned on
- Turn on AVP18 AV processor or AV receiver used before turning on MCA30

Connection

1. Select Stereo mode or BTL mode. See detail of Stereo and BTL modes on below section.
Be sure adjusting Stereo/BTL mode switch while MCA30 is off.
2. Connect RCA output of AVP18 AV processor or AV receiver to RCA input of MCA30 according to Stereo or BTL mode.
3. Connect speakers to MCA30 multichannel power amplifier.
Be sure output channel and input channel are matched.
4. Press power button.

NU FORCE

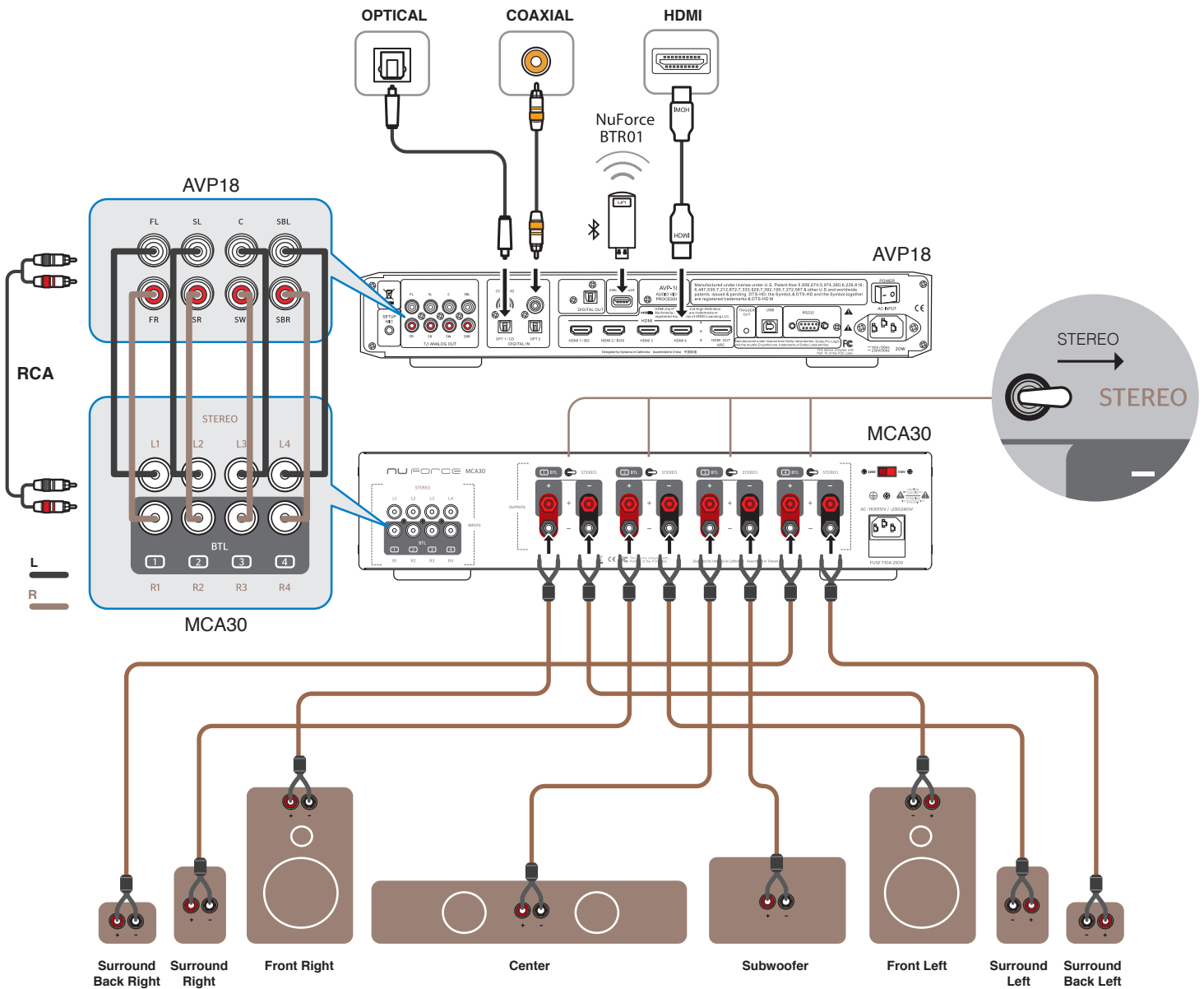
MCA30

Operation Guide

Stereo mode

MCA30 output normal power output on Stereo mode.

1. Make sure “Stereo-BTL” mode switch set to **Stereo mode**
2. Connect RCA input and speakers outputs.



NU FORCE

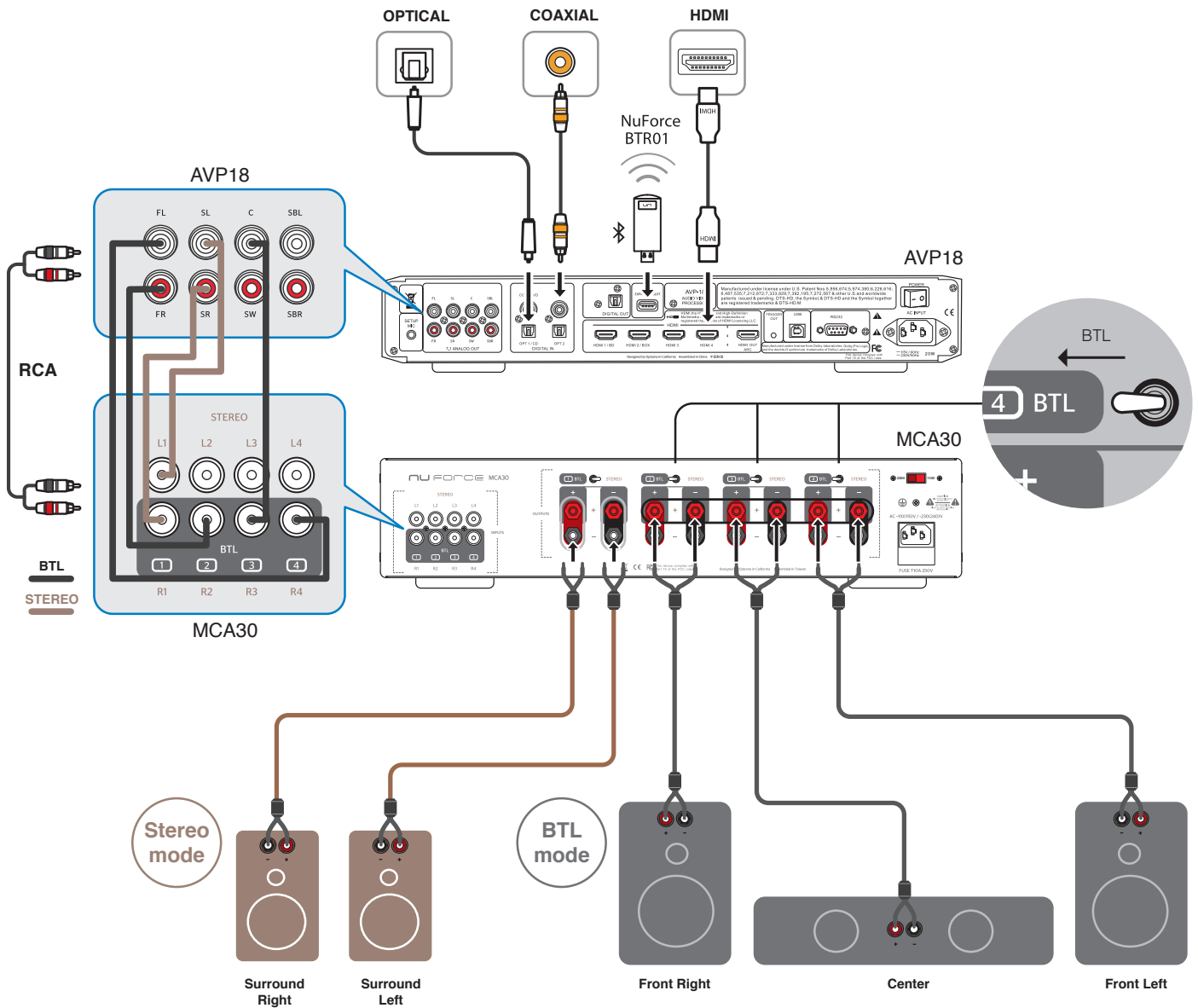
MCA30

Operation Guide

BTL mode

MCA30 output double power output when in BTL mode.
BTL mode uses two channels as output to double output power.

1. Make sure “Stereo-BTL” mode switch set to BTL mode
2. Connect RCA input and speakers outputs accordingly.



NU FORCE

MCA30

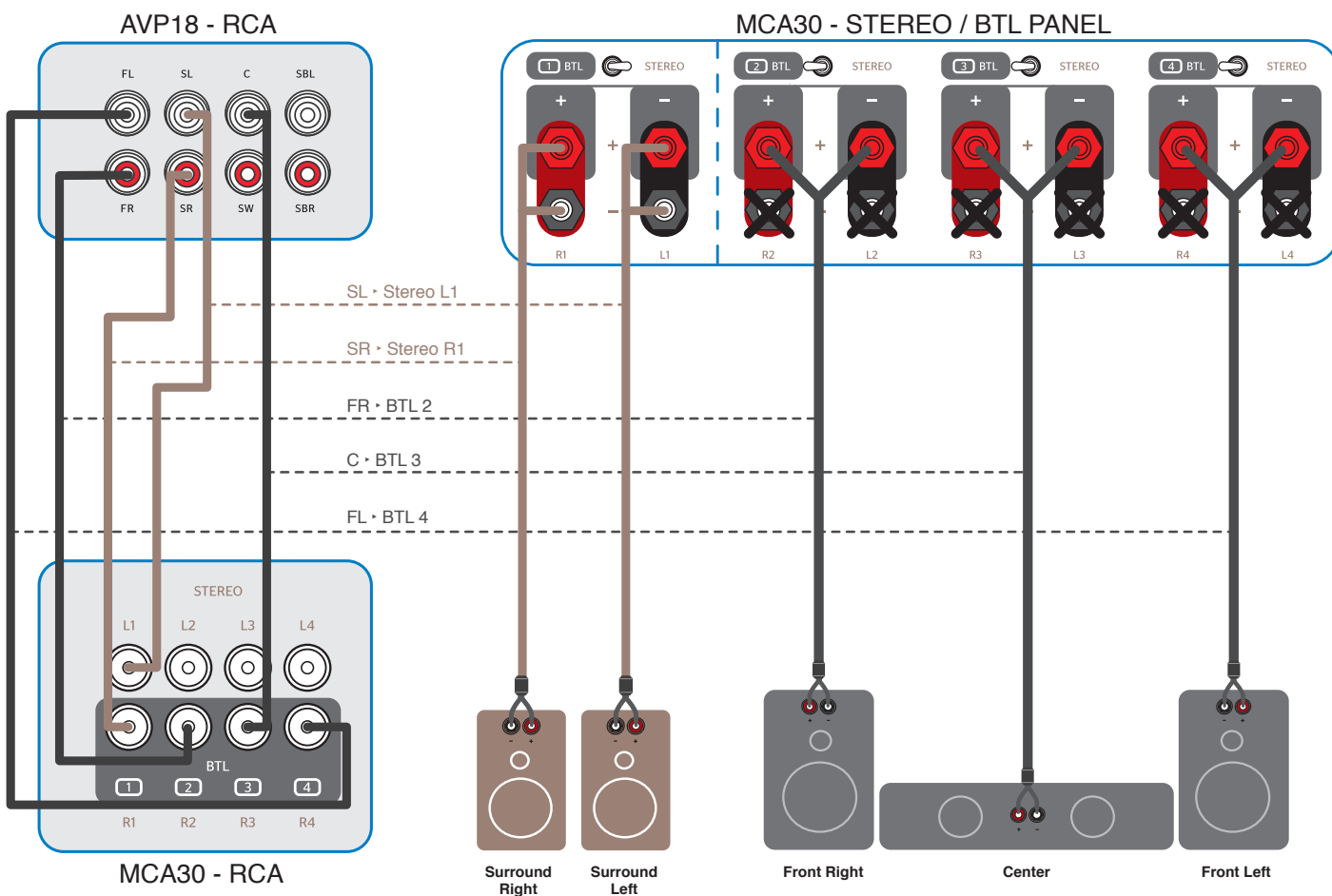
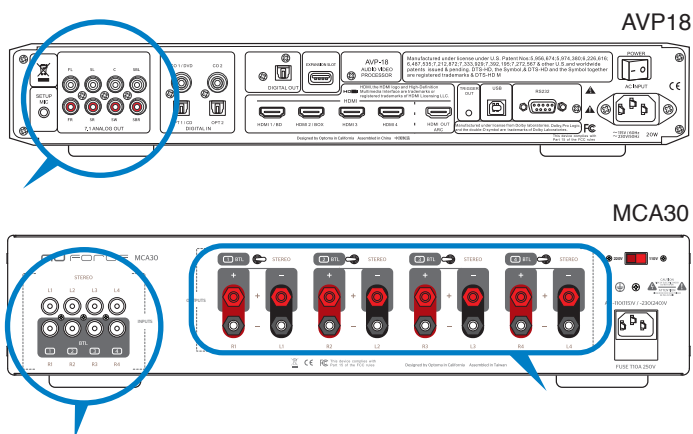
Operation- BTL mode

Stereo and BTL mode can be used at the same time.

For example, user can use BTL 1 and BTL 2 channels for front left and front right speakers respectively.

Or use BTL 1, BTL 2 and BTL 3 channels for front left, front right and center speakers.

Stereo 1 and Stereo 2 channels for surround left and surround right.



NU FORCE

MCA30

Specifications

Color	Black
Dimensions <small>W x D x H mm</small>	432 x 100 x 381
Weight <small>kg</small>	8.5 kg
Power Supply	110 / 230V
Input	RCA x 8
Output	Five-way binding posts x 8
Channel	Stereo: 8 Channels BTL: 4 ~ 7 Channels
Power Output	180W per Channel
Power Output <small>BTL Mode</small>	300W per Channel
Frequency response	10Hz - 50kHz
Sensitivity	1.65V
SNR	97dB
THD	0.01%