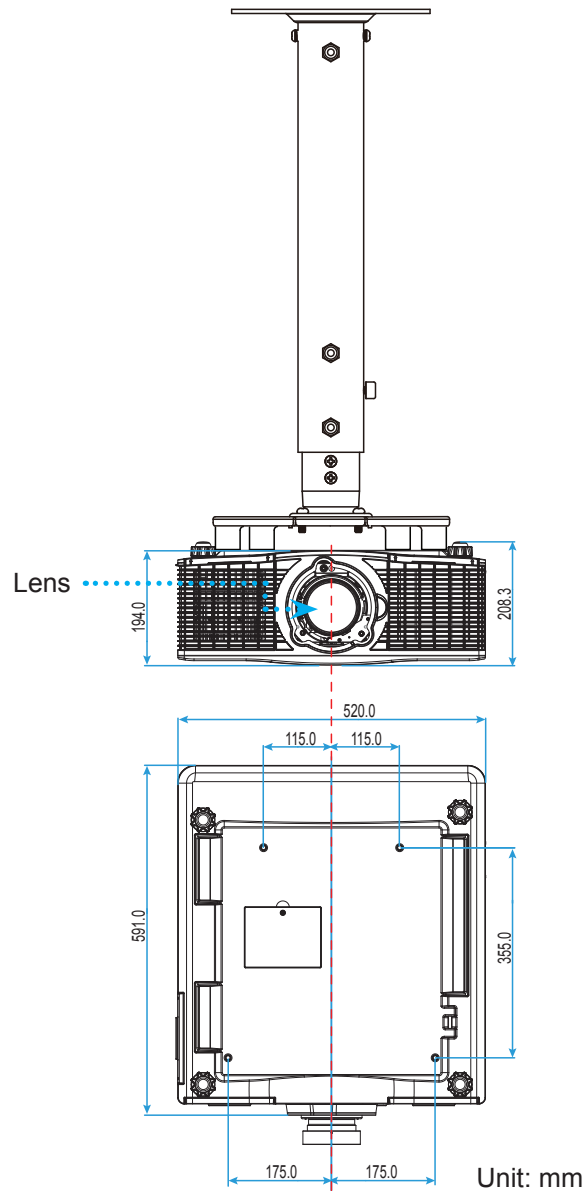


ADDITIONAL INFORMATION

Projector dimensions and ceiling mount installation

1. To prevent damage to your projector, please use the Optoma ceiling mount.
2. If you wish to use a third party ceiling mount kit, please ensure the screws used to attach a mount to the projector meet the following specifications:
 - Screw type: M8
 - Screw holes maximum depth: 20mm



Note: Please note that damage resulting from incorrect installation will void the warranty.



Warning:

- If you buy a ceiling mount from another company, please be sure to use the correct screw size. Screw size will vary depending on the thickness of the mounting plate.
- Only qualified personal is authorized for ceiling installation.
- We are not responsible for the hurt and damage caused by ceiling mount that purchased from unauthorized dealer even in warranty period.
- Avoid installing the projector near a heat source.