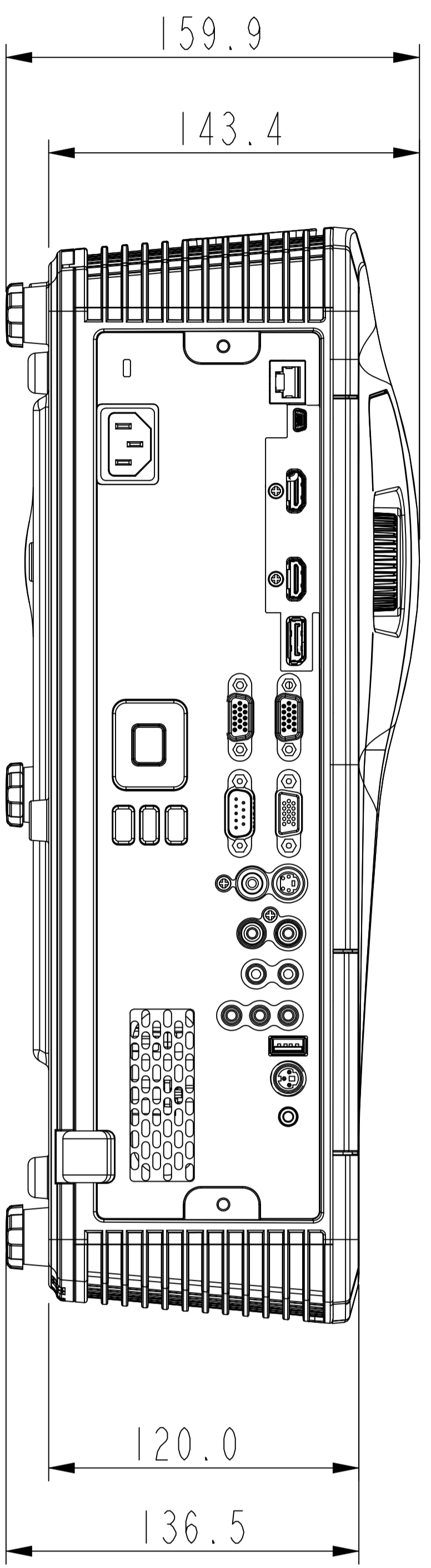
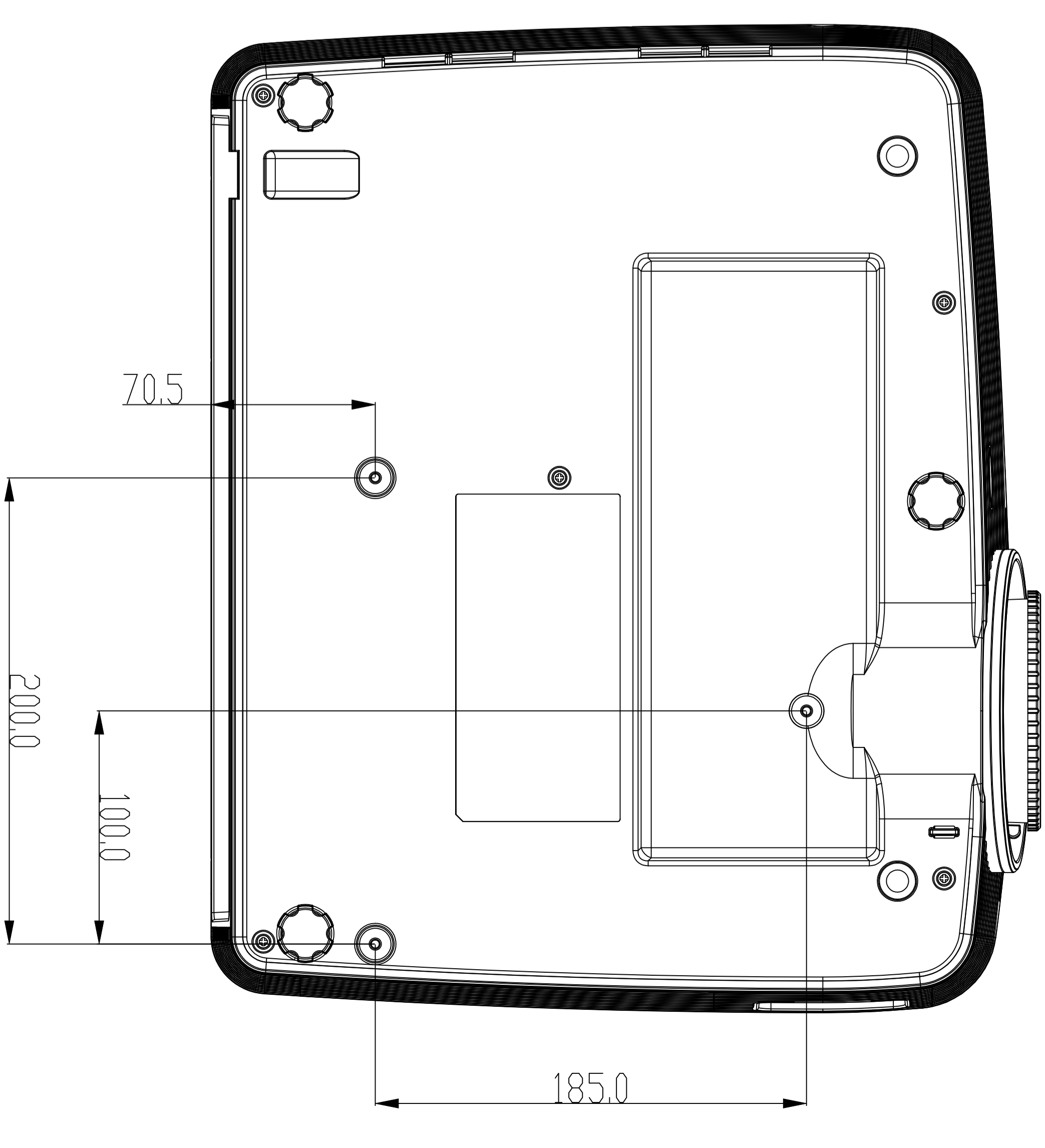
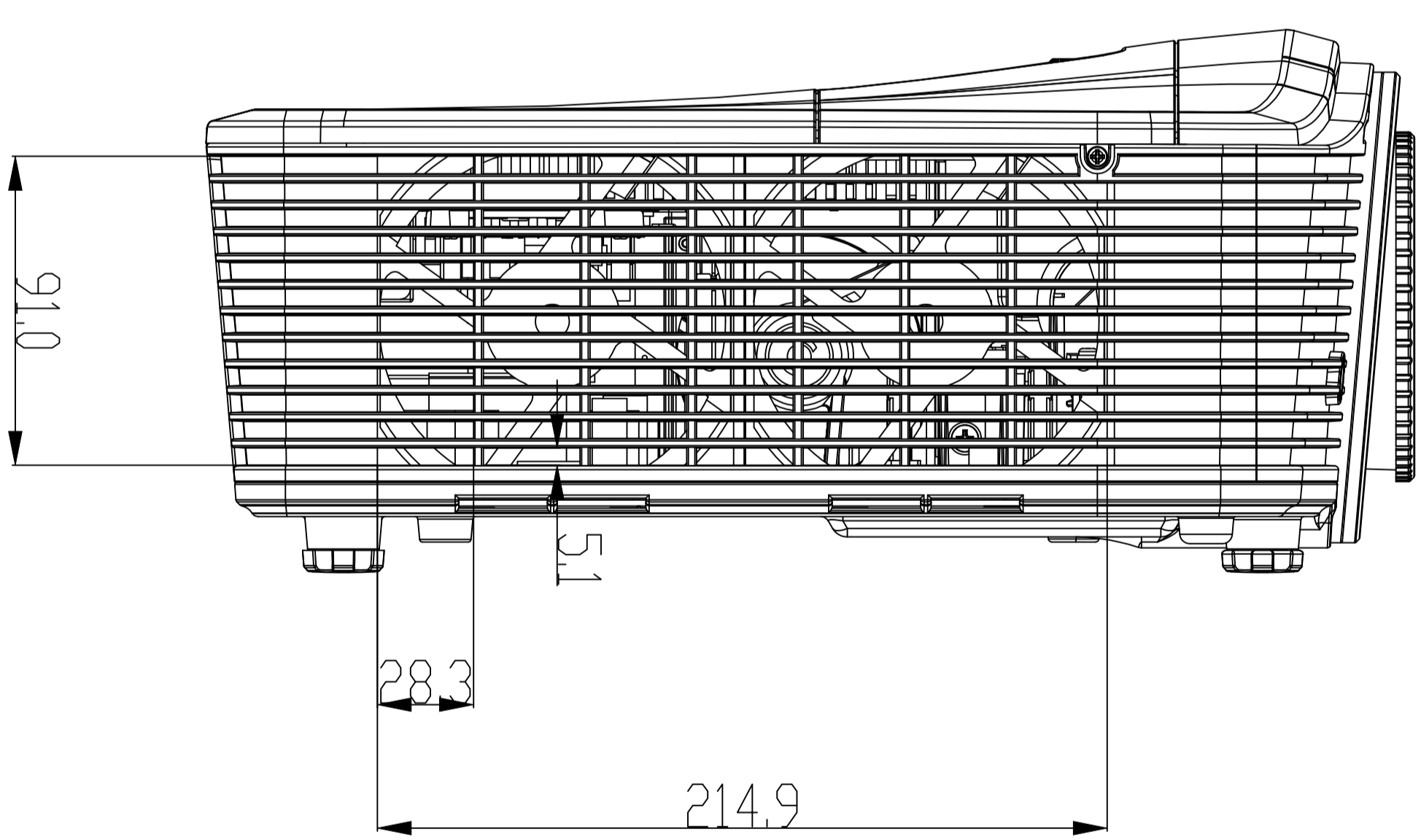
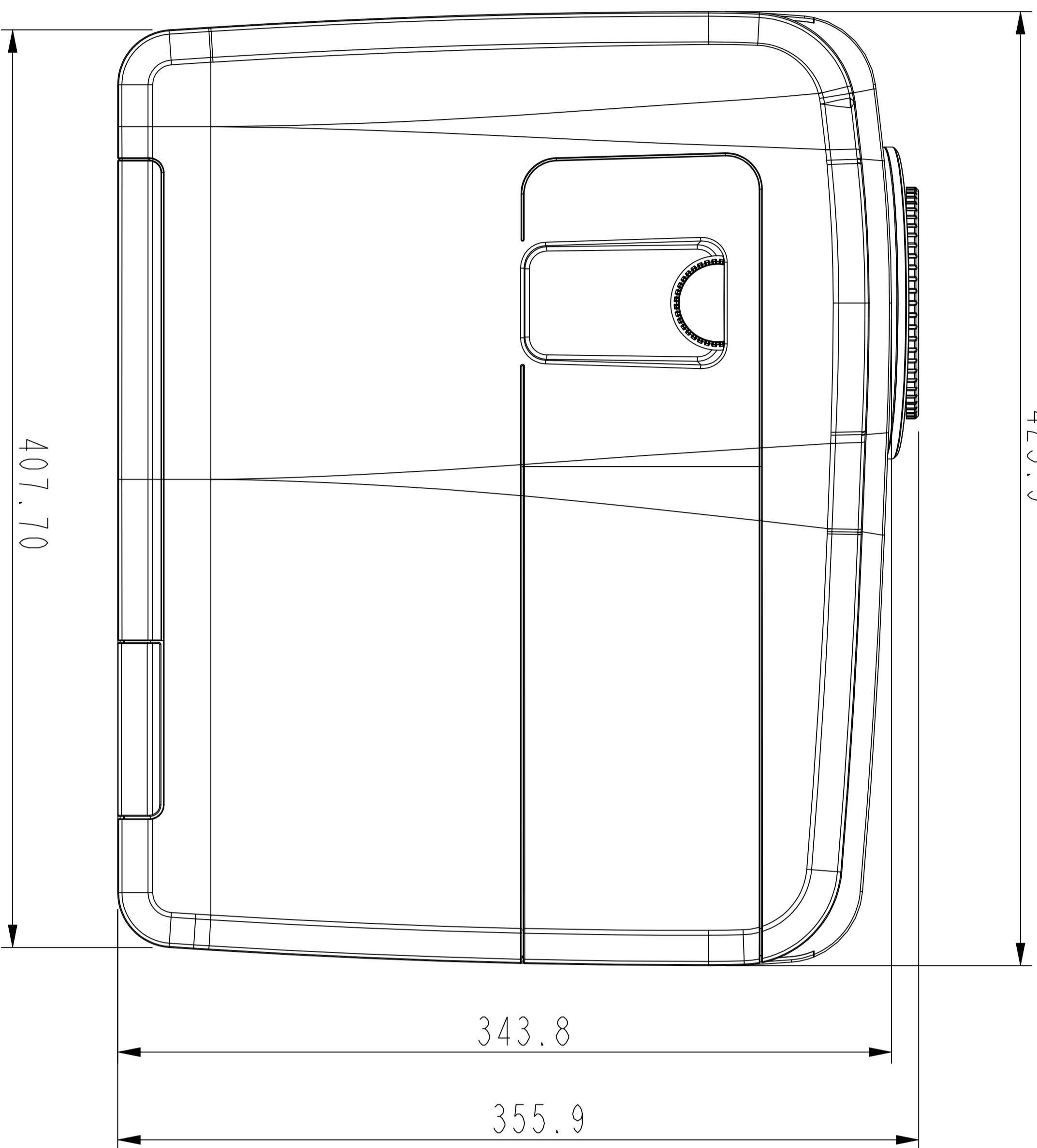
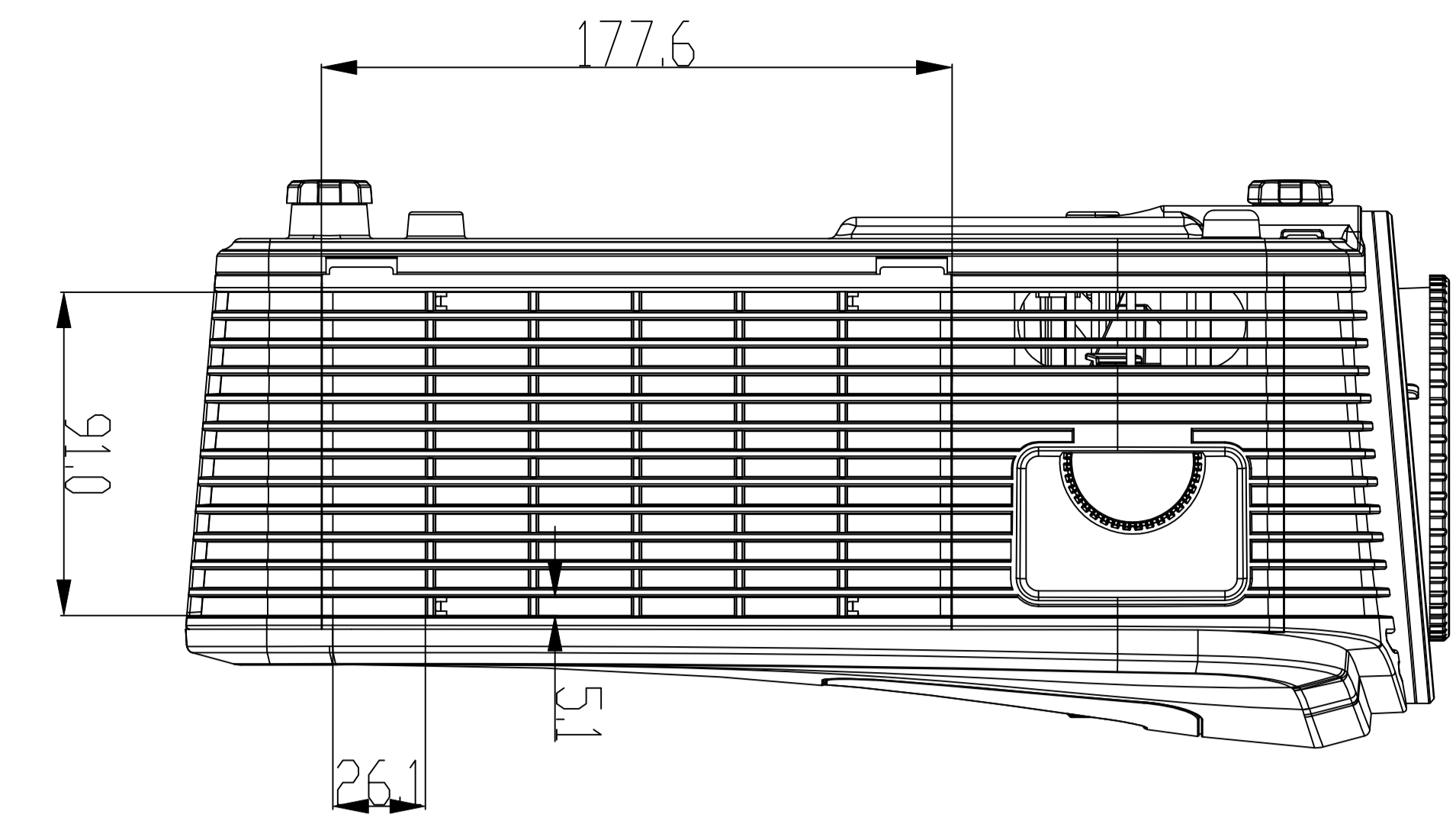


423.9



REV	INITIATOR	DATE	DESCRIPTION	ECR NO.
A	Justin	12/25/14	FORMAL RELEASE	X

LIMITS UNLESS OTHERWISE NOTED				
	1-6	±0.1	300-1000	±0.8
	6-30	±0.2	1000-2000	±1.2
	30-100	±0.3	2000-	±2.0
	100-300	±0.5	ANGLE	±0.5°

DRAWN	Justin	12/25/14	<b>Coretronic Corporation</b>	
ENG.	Justin			
CHK.			NAME : ID Outline	
APPD.				
TITLE	WS15		PART NO.	DC-72001-00A
SCALE	1:1	mm	FINISH	None
				Rev. A
				SHEET
				1 OF 1