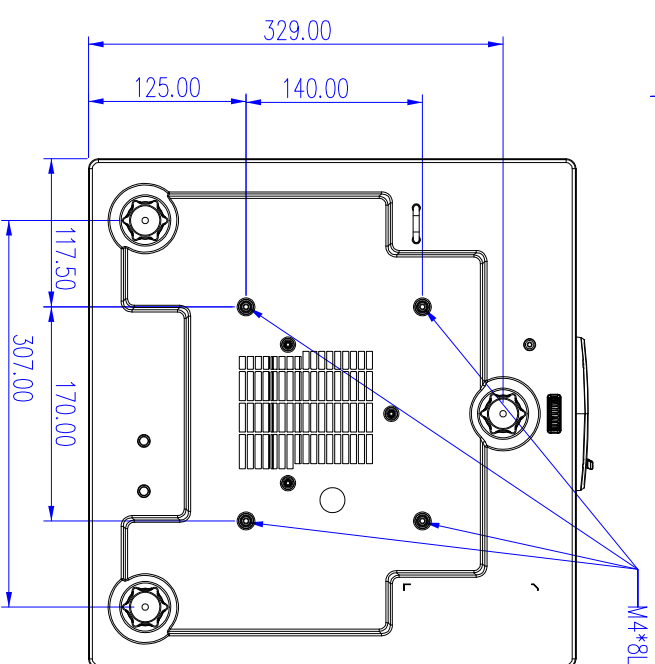
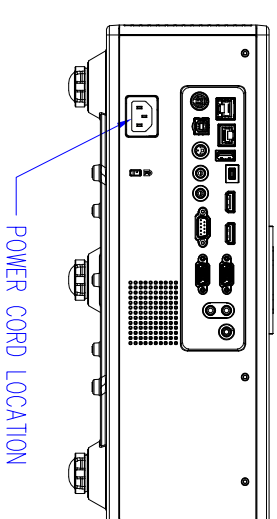
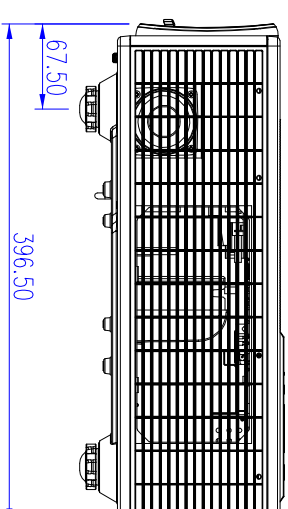
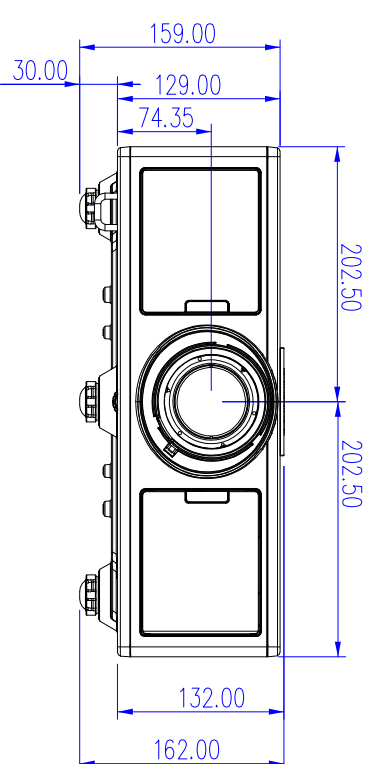
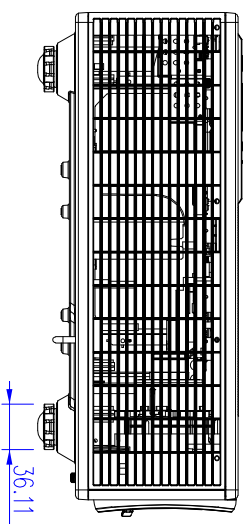


SCALE 17:120



REV	INITIATOR	DATE	DESCRIPTION	ECR NO.	LIMITS UNLESS OTHERWISE NOTED	DRAWN	ENG.	CHK.	APPD.	TITLE	UNIT	MATERIAL	PART NO.	FINISH	Rev.
			FORMAL RELEASE	X	1-6 ±0.1 300-1000 ±0.8					NAME : ZU510T ZH510 ZH510T ID DRAWING	mm				
					6-30 ±0.2 1000-2000 ±1.2										
					30-100 ±0.3 2000- ±2.0										
					100-300 ±0.5 ANGLE ±0.5°										

Coretronic Corporation